



COMPETITIVE SOLICITATION REQUEST FOR BID PROPOSALS

RFP 325-577 JARRELL COVE & MYSTERY BAY MARINE FABRICATION

BRIEF DESCRIPTION: The Washington State Parks and Recreation Commission (State Parks) is soliciting proposals from qualified firms to fabricate and provide galvanized steel pile posts and cross bracing with all associated fasteners for the pier repairs efforts at Jarrell Cove and Mystery Bay State Parks.

Bids are due: Tuesday, April 1, 2025, by 1:00 PM, PST.

ELECTRONIC BID RESPONSES ONLY: Bid responses will only be accepted electronically via Email/Email Attachment to BidBox@parks.wa.gov. (PDF scan encouraged). See Section 5.1 – Submission of Responses for expanded details.

Procurement Coordinator: Jacob Eckmann, contracts@parks.wa.gov

Email Inquiries to: contracts@parks.wa.gov

- See also (special communication instructions) §2.1, §2.3, §2.4.

WA State's Official Bid Notification System: Bidders are responsible for properly registering in the Washington's Electronic Business Solutions (WEBS) system, <https://fortress.wa.gov/ga/webs/> and downloading the solicitation document and all appendices and incorporated documents related to this solicitation. WEBS Registration Information:

<https://des.wa.gov/services/contracting-purchasing/doing-business-state/webs-registration-search-tips>.

WEBS is the system of record for this competition. Alternatively, you can also access the bid documents for reference purposes at www.parks.wa.gov/contracts by clicking on the State Purchasing link. However, please note that the official channel for notifications and updates is through WEBS and any RFP addenda, amendments or Bidders' questions-&-answers will only be provided to those bidders who have registered with WEBS. Failure to do so may result in a Bidder having incomplete, inaccurate, or otherwise inadequate information.

It is each Bidder' responsibility to fully read and understand all provisions of this RFP. If a Bidder does not fully understand any portion of this RFP, the Bidder should contact the Procurement Coordinator.

It is the responsibility of each Bidder to carefully read, understand, and follow all of the instructions contained in this RFP and all amendments hereto.

TABLE OF CONTENTS

1	INFORMATION ABOUT THE PROCUREMENT	4
1.1	ACQUISITION AUTHORITY	4
1.2	PURPOSE OF THE PROCUREMENT – AWARD A CONTRACT.....	4
1.3	WASHINGTON STATE PROCUREMENT PRIORITIES & PREFERENCES	5
2	DEADLINES, PREBID CONFERENCE, QUESTIONS AND PROCUREMENT SCHEDULE 6	
2.1	COMMUNICATION REGARDING THIS COMPETITION.....	6
2.2	Prebid Conference	6
2.3	QUESTION AND ANSWER PERIOD	6
2.4	COMPLAINT PERIOD.....	6
2.5	PROCUREMENT SCHEDULE	7
3	SPECIAL TERMS.....	8
3.1	ADVANCED PAYMENT PROHIBITION.....	8
3.2	BUSINESS STRUCTURE & EMPLOYEES (Compliance with Law).....	8
3.3	THE RESULTING CONTRACT AND ITS TERMS AND CONDITIONS.....	8
4	RESPONSES - REQUIRED CONTENT, FORMAT, AND SCORING:	9
4.1	CHECKLIST OF REQUIRED SUBMITTALS	9
4.2	(APPENDIX A) – BIDDER’S CERTIFICATIONS, ASSURANCES, AND WAIVER	10
4.3	(APPENDIX B) – BIDDER’S PROFILE.....	10
4.4	(APPENDIX C) – bid PRICE.....	10
4.5	EXPERIENCE AND EXPERTISE.....	11
4.6	WASHINGTON Small BUSINESS AND/OR CERTIFIED Veteran-Owned BUSINESS.....	11
4.7	(APPENDIX D) - REFERENCES.....	11
4.8	(APPENDIX E) – Diverse Business Inclusion Plan – Subcontractors.....	12
5	RESPONSES – PREPARATION, SUBMISSION REQUIREMENTS AND PREFERENCES 13	
5.1	SUBMISSION OF RESPONSES.....	13
5.2	RESPONSE LAYOUT REQUIREMENTS	13
5.3	WASHINGTON STATE PROCUREMENT PRIORITIES & PREFERENCE.....	14
6	EVALUATION AND AWARD	16
6.1	ORAL PRESENTATION (OPTIONAL).....	16
6.2	Oral Presentations Evaluation CRITERIA (OPTIONAL)	16
6.3	BID RESPONSIVENESS.....	16
6.4	BIDDER RESPONSIBILITY ANALYSIS.....	17
6.4.1	REJECTED BIDS/BIDDERS & REJECTION NOTIFICATION & REJECTION RESPONSE	18
6.5	GENERAL EVALUATION PROVISIONS	18
6.6	EVALUATION OF COMPLETION BY DATE.....	19
6.7	EVALUATION STEPS.....	19
6.7.1	Preliminary Evaluation (Procedural).....	19
6.7.2	Substantive Evaluation: Phase 1	19
6.7.3	Substantive Evaluation: Phase 2 (Optional)	20

6.8	SELECTION OF APPARENT SUCCESSFUL BIDDER.....	20
7	ANNOUNCEMENT OF ASB, PUBLIC DISCLOSURE, DEBRIEF, AND PROTESTS	21
7.1	ANNOUNCEMENT OF APPARENT SUCCESSFUL BIDDER (ASB)	21
7.2	PROCUREMENT RECORDS DISCLOSURE	21
7.3	DEBRIEFING OF BIDDERS.....	21
7.3.1	How To Request A Debrief Conference	21
7.3.2	Debrief Meeting, Discussion, And Delay	22
7.3.3	Debrief Is A Prerequisite For Protest	22
7.4	PROTEST.....	22
7.4.1	General:	22
7.4.2	Form And Content:.....	22
7.4.3	Content Limitations:	22
7.4.4	Submission Of Protests.....	23
7.4.5	Grounds Which May Be Protested	23
7.4.6	Manager Assignment And Review	23
7.4.7	Protest Determinations And Findings.....	23
7.4.8	Agency Decision is final	24
8	ADDITIONAL GENERAL PROVISIONS FOR ALL BIDDERS	25
8.1	ANNOUNCEMENT AND SPECIAL INFORMATION.....	25
8.2	CONTRACTING WITH CURRENT OR FORMER STATE EMPLOYEES	25
8.3	AMENDMENTS TO THE COMPETITION.....	25
8.4	RESPONSIVENESS OF BIDDER'S RESPONSE	25
8.5	CLARITY AND CLARIFICATIONS	25
8.6	COST OF RESPONSE PREPARATION.....	25
8.7	OWNERSHIP OF RESPONSES	26
8.8	FINAL SELECTION & NO OBLIGATION	26
8.9	INCORPORATION OF RESPONSE IN CONTRACT.....	26
8.10	STATEWIDE VENDOR PAYMENT REGISTRATION.....	26
8.11	WEBS REGISTRATION.....	26
8.12	POLYCHLORINATED BIPHENYLS (PCBS) NOTICE	26
8.13	SMALL AND DIVERSE BUSINESS	26
8.14	ACCESS EQUITY CONTRACT REPORTING	27
8.15	PUBLIC DISCLOSURE & WAIVER OF PROPRIETARY INFORMATION	28
8.16	CIVIL RIGHTS COMPLIANCE.....	28
9	APPENDICES AND EXHIBITS.....	29
9.1	(APPENDIX A) – BIDDER'S CERTIFICATIONS, ASSURANCES, AND WAIVER	30
9.2	(APPENDIX B) – BIDDER PROFILE	34
9.3	(APPENDIX C) – BID PRICE (must be legible).....	36
9.4	(APPENDIX D) - REFERENCES (must be legible)	37
9.5	(APPENDIX E) – DIVERSITY BUSINESS INCLUSION PLAN - SUBS	39
9.6	(EXHIBIT A) – Sample Contract & General Contract Terms And Conditions.....	41

1 INFORMATION ABOUT THE PROCUREMENT

This section describes the purpose of the competitive solicitation and provides information about this procurement, including the potential scope of the opportunity.

1.1 ACQUISITION AUTHORITY

In accordance with RCW Chapter 39.26, the objective of this Request for Proposals (RFP) is to procure the goods and/or services described herein. State agency purchases must follow a competitive solicitation process, ensuring that the contract is awarded to the lowest responsive and responsible bidder.

This process ensures fairness, transparency, and accountability in procurement. By following these guidelines, we seek to obtain the best value for the state while maintaining the integrity of our procurement practices. All bidders must meet specified criteria and demonstrate their ability to fulfill contract requirements. The evaluation will consider both the price and the bidder's ability to perform the contract effectively and efficiently.

1.2 PURPOSE OF THE PROCUREMENT – AWARD A CONTRACT

The purpose of this Competitive Solicitation is to receive competitive bids to evaluate and, as appropriate, award a contract for State Parks. The contract will be for a fabricator/contractor to fabricate and provide galvanized steel pile post and cross bracing and all associated fasteners for pier repairs at Jarrell Cove and Mystery Bay State Parks.

This document contains Specifications posted separately on WEBS as Exhibit A- Jarrell Cove and Mystery Bay Specifications

BACKGROUND

The items in the table below will require fabrication per designs and specifications provided in the Pile Post and Steel Cross-Bracing plan set (Exhibit A-posted separately on WEBS) by Washington State Parks.

Park	Item	Quantity
Jarrell Cove	Cross Bracing Collars- inside diameters vary	6 sets of 4 collars each
Jarrell Cove	Cross bracing turnbuckles, rods (various lengths, clevis pins,	6 sets
Jarrell Cove	Cross bracing fasteners	
Mystery Bay	Steel Pile Posts- lengths vary	5 posts
Mystery Bay	Cross Bracing Collar- inside diameters vary	7 sets of 4 collars each
Mystery Bay	Cross bracing turnbuckles, rods (various lengths), clevis pins,	7 sets
Mystery Bay	Cross bracing fasteners	

All items shall be delivered to Washington State Parks for State Parks staff installation to the following address:

Washington State Parks Marine Crew
160 Cornet Bay Rd
Oak Harbor, WA 98277

CONTRACT TERM

The contract term is expected to be until June 30, 2025, with the option of extensions of up to 3 years. Any extension shall be for the same terms and conditions as set forth in this Contract and is contingent upon funding availability and budget. The Contract is subject to earlier termination

REQUIREMENTS

Bidder must be registered to do business in the state of Washington (hold a Universal Business Identifier (UBI)). If awarded the contract, the successful bidder must obtain a UBI number within 24 hours to avoid being considered nonresponsive.

1.3 WASHINGTON STATE PROCUREMENT PRIORITIES & PREFERENCES

State Parks will apply the following Washington State procurement priorities and preferences to this Competitive Solicitation which, as set forth in Section 5.3, will impact the evaluation of bids for this Competitive Solicitation:

- Washington Small Business and/or Certified Veteran-Owned Business: 20 points

2 DEADLINES, PREBID CONFERENCE, QUESTIONS AND PROCUREMENT SCHEDULE

This section identifies important deadlines for this Competitive Solicitation, where to direct questions regarding the Competitive Solicitation, and the process for potential amendments or modifications to the Competitive Solicitation.

2.1 COMMUNICATION REGARDING THIS COMPETITION

All communication should be directed to the State Parks Contracts and Grants Program (CGP) via the Procurement Coordinator's email listed on the face page. Contacting other State Parks staff may result in disqualification. Only responses posted on WEBS are official; all other communications are unofficial and nonbinding. State Parks reserves the right to amend this solicitation.

2.2 PREBID CONFERENCE

Bidders are invited to a virtual prebid conference via Microsoft Teams, where they can ask questions and request changes. Interested bidders must RSVP to contracts@parks.wa.gov by the date specified in Section 2.5 – Procurement Schedule, with the bid identification number and "RSVP" in the subject line (e.g., "**RFP # RSVP**"). A meeting link will be sent the next day. The conference date and time are also in Section 2.5.

Attendees should not display video and keep their microphones muted if not speaking. If the conference fails or you have additional questions, send them by 3 PM (PST) on the same day. Responses will be posted on WEBS. State Parks is not responsible for technical issues or participation failures. Questions raised at the pre-bid conference and during the Q&A period will be answered and responses posted to WEBS.

State Parks reserves the right to amend and modify this Competitive Solicitation.

2.3 QUESTION AND ANSWER PERIOD

Bidders may ask questions at any time, but responses must be posted on WEBS before the bid's due date to allow bidders to respond. The final day for questions to receive a formal response is in Section 2.5 – Procurement Schedule.

Send questions to contracts@parks.wa.gov with the bid identification number and "Question" in the subject line (e.g., "**RFP # Question**"). Only responses posted on WEBS are official; all other communications are unofficial and nonbinding.

2.4 COMPLAINT PERIOD

Bidders should first address concerns during the Question-and-Answer period. If a complaint is necessary, refer to Section 2.5 – Procurement Schedule for the Complaints Period. Complaints outside this period will not be considered. Send complaints to contracts@parks.wa.gov with the bid identification number and "Complaint" in the subject line (e.g., "**RFP # Complaint**"). Failure to mark correctly may result in the complaint being missed. Responses will be posted on WEBS; only these responses are official.

Bidders must follow these procedures for complaints to be considered. Complaints must be in writing, sent to the Procurement Coordinator before the deadline, to the specified email address, and with the correct subject line. The complaint must state its basis and propose a remedy

Only complaints that fall into the categories below and stipulate an issue of fact shall be considered:

- The solicitation unnecessarily restricts competition.
- The solicitation evaluation or scoring is unfair or flawed; or
- The solicitation requirements are inadequate or insufficient to prepare a response.

2.5 PROCUREMENT SCHEDULE

Any stated time is Pacific Time Zone (local time).

Activity	Due Dates	Time
RSVP Prebid Conference	03/04/2025 See additional details in Section 2.2 – Prebid Conference.	COB
Prebid Conference	03/06/2025 See additional details in Section 2.2 – Prebid Conference	10:30AM-11:00AM PST
Question Period	02/14/2025 – 03/19/2025 See additional details in Section 2.3 – Question and Answer Period.	NA
Answer Period	02/14/2023 – 03/20/2025 , anticipated but may take longer. All Answer Responses will be posted on WEBS. See Section 2.3 – Question and Answer Period	
Complaint Period	03/18/2025 – 03/24/2025 See additional details in Section 2.4 – Complaint Period. Complaints received before or after the Complaint period will not be considered.	NA
Bidder's Response – Deadline	04/01/2025 See also: Section 4 - Responses – Required Content, Format, and Scoring. See also Section 4.1 Checklist of Required Submittals	1:00PM PST
Oral Presentations	The Oral Presentation criteria and instructions will be provided by email to the short-listed firms, if needed. (OPTIONAL)	
Announcement of Apparent Successful Bidder (ASB)	After the Bid's due date (deadline to submit bid responses) and following the evaluation, the state will Announce the Apparent Successful Bidder (ASB). See additional details in Section 7.1 – Announcement of Apparent Successful Bidder.	
Debriefing of Bidders	The Bidder wanting a Debrief must request a Debrief within three business days following the day of the Announcement of Apparent Successful Bidder (ASB). See additional details in Section 7.3 – Debriefing of Bidders	
Protest	The DEBRIEFED Bidder wanting to submit a protest must submit a Protest within five business days following the day of the Debrief. See additional details in Section 7.4 - Protests	

3 SPECIAL TERMS

This section outlines special terms for this Competitive Solicitation that bidders will need to review and adhere to in order to comply with the requirements.

3.1 ADVANCED PAYMENT PROHIBITION

Payment is based on provided goods and services only, following proper documentation and invoicing. No payment will be made for non-designated goods or services. Per Washington's Constitution Article 8, Section 5, progress payments are allowed, but no payment will be made before work is completed, delivered, and accepted. This includes deposits and security deposits.

3.2 BUSINESS STRUCTURE & EMPLOYEES (Compliance with Law)

State Parks may require proof that your firm is legally licensed and compliant with all business and employee-related laws, including taxes, licenses, and employee insurance, during bid evaluation, contract execution, or the contract's duration. State Parks may contact any necessary entity to validate compliance. Additionally, they may require information verifying your business structure and employment status. Failure to provide timely information may result in bid rejection or contract termination. Non-compliance with laws and regulations may also lead to bid rejection or contract termination. Information is available from state agencies such as the Department of Revenue, Labor and Industries, Secretary of State, and Employment Security Department.

3.3 THE RESULTING CONTRACT AND ITS TERMS AND CONDITIONS

A sample contract is provided at the end of the competition document to help bidders understand State Parks' typical terms and conditions. Any resulting contract will include these terms and conditions. Bidders should review the sample, assess the risks and rewards, and bid accordingly. Selected bidders (Apparent Successful Bidders or ASB) often try to negotiate terms, but such negotiations will likely not be entertained. Bidders should consider all risks when forming their bid response.

Each Bidder's submission of its Response confirms that Bidder's consent to these terms and conditions.

4 RESPONSES - REQUIRED CONTENT, FORMAT, AND SCORING:

This section describes the information required for the Competitive Solicitation and outlines how your bid will be scored. Additionally, bidders must review and adhere to the Competitive Solicitation requirements, including those detailed in the exhibits, which specify the information that must be provided for a bid to be considered responsive.

4.1 CHECKLIST OF REQUIRED SUBMITTALS

The following list in the table in this subsection identifies the content that must be included in each responsible submission (Bidder's bid response). Any response that does not contain all of these items may be rejected as non-responsive. Each item is discussed in more depth in the sections following the Table.

#	Submittal	Scored by Points and/or Low Price and/or Pass/Fail	For Reference: See Appendix Or Section	Bidder Mark if Provided (failure to provide as instructed may result in bid rejection)
1	Bidder's Certifications (form provided, must be signed)	Pass/Fail	Appendix A, Section 4.2 Section 9.1	
2	Bidder's Profile (form provided)	Pass/Fail	Appendix B, Section 4.3 Section 9.2	
3	Bid Price (form provided)	Up to 60 points	Appendix C, Section 4.4 Section 9.3	
4	Experience and Expertise (self-authored)	Up to 20 points	Section 4.5	
5	Washington Small Business and/or Certified Veteran-Owned Business (self-authored)	20 points	Section 4.6 Section 5.3	
6	References (form provided)	Pass/Fail	Appendix D, Section 4.7 Section 9.4	
7	Diverse Business Inclusion Plan – Subcontractors (form provided)	Pass/Fail Required if using subcontractors	Appendix E, Section 4.8 Section 9.5	

Total points available are 100, with a minimum of 60 points required for a bid to be considered responsive. If a Washington Small Business or Certified Veteran-Owned Business does not meet the minimum points, the bid will be deemed non-responsive and rejected.

The table serves multiple purposes:

1. Specifies the submittals bidders must provide to State Parks in their bid response.
2. Acts as a checklist to ensure all required materials are included.
3. If State Parks does not provide a form, the bidder must "self-author" a response to fulfill the requirement.

The table also indicates whether submittals will be scored based on points, low price, or pass/fail and provides a courtesy reference linking the submittal to other sections of the document.

General Evaluation Continuum					
Bidder demonstrates renowned experience and/or the least or no risk, and/or ideal fit for what is being sought by State Parks (most points)	Bidder demonstrates considerable experience, and/or some minor risk, and/or a close but not ideal fit for what is being sought by State Parks.	Bidder demonstrates solid experience, and/or mild risk, and/or fair fit for what is being sought by State Parks.	Bidder demonstrates adequate experience, and/or medium risk, and/or mediocre fit for what is being sought by State Parks.	Bidder demonstrates limited experience, and/or high risk, and/or poor fit for what is being sought by State Parks. (low points)	Bidder demonstrates no experience, and/or grave risk, and/or a bad fit for what is being sought by State Parks (no points)

4.2 (APPENDIX A) – BIDDER’S CERTIFICATIONS, ASSURANCES, AND WAIVER

A FORM is provided for this part of your bid response. See APPENDIX A – Bidder’s Certification, Assurances, and Waiver.

The Certifications must be executed as written in Appendix A. Failure to execute the Appendix in its official form will result in the Bidder’s Proposal being disqualified.

Appendix A – Bidder’s Certifications is evaluated on a pass/fail basis.

The certification **must** be signed and submitted by a duly authorized representative for the bidder.

4.3 (APPENDIX B) – BIDDER’S PROFILE

A FORM is provided for this part of your bid response. See APPENDIX B – Bidder’s Profile.

The Bidder’s Profile provides general information about the bidder and/or its corporate entity. It is important to fully read the Bidder’s Profile, as there may be additional pages that the bidder must self-author and attach, depending on the bidder’s response.

Appendix B – Bidder’s Profile must be substantively completed and is evaluated on a pass/fail basis.

Note: The Bidder’s Profile must be complete. Where there are choices, the bidder **must** check a box.

4.4 (APPENDIX C) – BID PRICE

A FORM is provided for this part of your bid response. See APPENDIX C – Bid Price.

The award is made to the responsive and responsible bidder and who has the highest score and the lowest price.

All costs should be rolled in, except for sales tax. The bidder’s **not-to-exceed amount** must factor in all cost drivers such as travel, shipping, packaging, and material costs. Washington State government agencies do pay sales tax, but it should appear separately on the invoice and not as part of the not-to-exceed amount on the Bid Price provided by the bidder..

Failure to identify all costs in accordance with the instructions in this Competitive Solicitation is sufficient grounds for disqualification.

This part of the bid response is **scored up to 60 points** with a pro rata share for higher-cost bids. For example, if three bids are received (A @ \$25, B @ \$26.50, C @ \$50):

- Bid A get 60 points ($25/25 = 1.0 \times 60 \text{ points} = 60$),
- Bid B gets 56.60 points ($25/26.50 = .943 \times 60 \text{ points} = 56.60$),
- Bid C gets 30 points ($25/50 = .5 \times 60 \text{ points} = 30$).

Inclusive Pricing: Bidders must identify and include all cost elements in their pricing. If awarded a contract, the total price for the goods and/or services shall be the bidder's price as submitted. Except as provided in the contract, there shall be no additional costs of any kind.

Credit Cards (P-Cards): If awarded a contract, the total price for the goods and/or services shall be the same regardless of whether purchasers make payment by cash, credit card, or electronic payment. The bidder shall bear any processing or surcharge fees associated with the use of credit cards or electronic payment.

4.5 EXPERIENCE AND EXPERTISE

Bidder this part of your bid response is SELF-AUTHORED by you, no form is provided.

- **Title this "4.5 Experience and Expertise".**

The Contractor shall have a minimum of five years of experience in the manufacture of similar barge vessels. Please provide detailed information about your company's experience and expertise in fabricating and delivering and launching barge vessels and describe experience working with government. Governmental entities often have regulations, processes, or stipulations not common in the private sector. Bidder, you may provide photos.

This part of the bid response is **scored up to 20 points**.

4.6 WASHINGTON SMALL BUSINESS AND/OR CERTIFIED VETERAN-OWNED BUSINESS

Bidder this part of your bid response is self-authored by you, no form is provided.

- **Title this "4.6 WA Small Business/Veteran Owned Business Certification".**

State Parks, in accordance with Washington law, encourage small and diverse businesses to compete for and participate in state procurements as contractors and as subcontractors.

Include proof of certification issued by the Washington State Department of Veteran Affairs or self-certify as a small business through WEBS at the time of competition. You may also include proof of certification from the Washington State Office of Minority & Women's Business Enterprises (OMWBE), though no points will be awarded for OMWBE certification. If you are a small business registered in Washington's Electronic Business Solution (WEBS), we will verify your registration to determine eligibility.

This part of the bid response is **scored 20 points**.

4.7 (APPENDIX D) - REFERENCES

A FORM is provided for this part of your bid response. See APPENDIX D – References.

Bidder this part of your bid response requires you to submit reference from other parties (do not use Washington State Parks and Recreation Commission as a reference).

Bidder must provide at least **FIVE (5) Reference WITH FRESH ACTIVITY**.

Provide a minimum of five references for similar services, with name and phone number.

This part of the bid response is evaluated on a pass/fail basis.

4.8 (APPENDIX E) – DIVERSE BUSINESS INCLUSION PLAN – SUBCONTRACTORS

A FORM is provided for this part of your bid response. See APPENDIX E – Diverse Business Inclusion Plan – Subcontractors.

Appendix E – Diverse Business Inclusion Plan - Subcontractor is evaluated on a pass/fail basis.

REQUIRED ONLY if Bidder will be using subcontractors to perform the Contract: This exhibit outlines the inclusion plan for diverse business subcontractors pertaining to the Contract.

5 RESPONSES – PREPARATION, SUBMISSION REQUIREMENTS AND PREFERENCES

This section identifies how to prepare and submit your bid for this Competitive Solicitation. By responding to this Competitive Solicitation and submitting a bid, bidders acknowledge having read and understood the entire Competitive Solicitation and accept all information contained within this Competitive Solicitation.

5.1 SUBMISSION OF RESPONSES

Bids must be complete, legible, signed, and follow all instructions stated in the Competitive Solicitation (including the appendices, and exhibits). Unless otherwise specified in writing by documents included with an electronic bid must be prepared in MS Word, MS Excel, or Adobe PDF. Where required to do so, bidders may sign using either a physical or electronic signature.

Bidder's electronic bid must be emailed to the Procurement Coordinator at the following email address: BidBox@parks.wa.gov. The email subject line should include the bid identification number, "Bid," and your company name (e.g., "**RFP # Bid ACME**"). Ensure the email, including attachments, is less than 30MB. It's recommended to keep it under 25MB. Zipped files are not accepted. All responses and any accompanying documentation become the property of State Parks and will not be returned.

State Parks will send an automatic acknowledgment of bid receipt. This acknowledgment does not determine the bid's responsiveness. If the bidder does not receive an acknowledgment within a reasonable time, it is the bidder's responsibility to contact State Parks for confirmation.

VERIFICATION: Bidders are welcome to contact the State Parks Contracts and Grants Program team (CGP) to see if your bid response was received, however, this process works best if there's enough time between the date and time submitted and the bid's due date deadline. Send verification requests to:

contracts@parks.wa.gov

The email subject line should include the bid identification number, "Verification," and your company name (e.g., "**RFP # Verification ACME**")

CAUTION: Submit your bid response early as a safeguard against any technological slow-down or delays. Bids received after the deadline for any reason, no matter the cause, regardless of responsibility, will be rejected.

--- Late submissions will be considered non-responsive and may be rejected. ---

5.2 RESPONSE LAYOUT REQUIREMENTS

The Bidder's bid response should be logically assembled so that the evaluators can easily understand what they are reading and relate what they are reading back to the competition document's requirement. Evaluators appreciate landmarks or references using the competition document's section numbers and section titles. One mistake that Bidders make is that they have a previously prepared statement or materials that don't precisely relate to the competition document's individual requirement (it wasn't tailored or designed for the requirement), or that the previously prepared statement (or material) is supposed to relate to two or more requirements of the competition document. That can be confusing and may result in a negative impact to the evaluation of the Bidder's bid response.

NOTE: If evaluators cannot easily identify the statement/material or cannot easily link it to the competition's section reference, requirement, or question the statement/material may be misunderstood, disregarded, or may negatively impact the evaluation of the response.

5.3 WASHINGTON STATE PROCUREMENT PRIORITIES & PREFERENCE

The following Washington State procurement priorities and preferences apply to this Competitive Solicitation:

WASHINGTON SMALL BUSINESSES AND/OR CERTIFIED VETERAN-OWNED BUSINESSES. In furtherance of Washington's business inclusion goals State Parks will evaluate bids for best value and will provide a bid preference in the amount of 20 points to any bidder who certifies.

- **WASHINGTON SMALL BUSINESS.** Bidder is a Washington Small Business as defined in RCW 39.26.010. To qualify as a Washington Small Business, Bidder must meet three (3) requirements:
 - Location. Bidder's principal office/place of business must be located in and identified as being in the State of Washington. A principal office or principal place of business is a firm's headquarters where business decisions are made and the location for the firm's books and records as well as the firm's senior management personnel.
 - Size. Bidder must be owned and operated independently from all other businesses and qualify as one of the following:
 - Bidder Qualifies as a Small Business – i.e.,
 - Bidder has fifty (50) or fewer employees; or
 - Bidder has an annual gross revenue of less than \$7,000,000 as reported on Bidder's federal income tax return or its return filed with the Washington State Department of Revenue over the previous three (3) consecutive years.
 - Bidder Qualifies as a Mini business – i.e., Bidder has an annual gross revenue of less than \$3,000,000, but \$1,000,000 or more, as reported on Bidder's federal income tax return or its return filed with the Washington State Department of Revenue.
 - Bidder Qualifies as a Microbusiness – i.e., Bidder has an annual gross revenue of less than \$1,000,000 as reported on Bidder's federal income tax return or its return filed with the Washington State Department of Revenue.
 - WEBS Certification. Bidder must have certified its Washington Small Business status in Washington's Electronic Business Solution (WEBS).
- **CERTIFIED VETERAN-OWNED BUSINESS.** Bidder is a Certified Veteran-Owned Business under RCW 43.60A.190. To qualify as a Certified Veteran-Owned Business, Bidder must meet four (4) requirements:
 - 51% Ownership. Bidder must be at least fifty-one percent (51%) owned and controlled by:
 - (a) A veteran as defined as every person who at the time he or she seeks certification has received a discharge with an honorable characterization or received a discharge for medical reasons with an honorable record, where applicable, and who has served in at least one of the capacities listed in RCW 41.04.007;
 - (b) A person who is in receipt of disability compensation or pension from the department of veterans affairs; or

-
- (c) An active or reserve member in any branch of the armed forces of the United States, including the national guard, coast guard, and armed forces reserves.
 - Washington Incorporation/Location. Bidder must be either an entity that is incorporated in the state of Washington as a Washington domestic corporation or, if not incorporated, an entity whose principal place of business is located within the State of Washington.
 - WEBS Certification. Bidder must have certified its Veteran-Owned Business status in Washington's Electronic Business Solution (WEBS).
 - WDVA Certification. Bidder must have provided certification documentation to the Washington Department of Veterans' Affairs (WDVA) and be certified by WDVA and listed as such on WDVA's website (WDVA – Veteran-Owned Businesses)

6 EVALUATION AND AWARD

This section identifies how bids for this Competitive Solicitation will be evaluated.

6.1 ORAL PRESENTATION (OPTIONAL)

Oral presentations, if deemed necessary by State Parks, may be used to select the winning response. State Parks reserves the right, at its sole discretion, to invite the top-scoring firms from the written evaluation to participate in an oral presentation. The top-scoring firms will be contacted to schedule a date, time, and location for the presentation. All key personnel must participate in the oral presentation. The Procurement Coordinator will reach out to the bidder(s) to arrange a date and time and will provide further instructions. Any commitments made by the Contractor during the oral presentation will be considered binding.

There will be a maximum of 100 points awarded based on bidder's demonstration. All points will be cumulative. The oral presentation will determine the apparently successful bidder.

6.2 ORAL PRESENTATIONS EVALUATION CRITERIA (OPTIONAL)

Oral Presentation Evaluation Criteria	Maximum Possible Point Total
Organization: - Management Plan	25 points
Project Management: - Project Scheduling	25 points
Expertise - Understanding of this project	25 Points
Experience - Relevant Past Projects	25 Points
TOTAL:	100 Points

Points for Oral Presentation will be determined according to the following guidelines, and weighted appropriately:

Bidder demonstrates renowned experience (5 points)	Bidder demonstrates considerable experience (4 points)	Bidder demonstrates solid experience (3 points)	Bidder demonstrates adequate experience (2 points)	Bidder demonstrates limited experience (1 points)	Bidder demonstrates no experience (0 points)
--	--	---	--	---	--

6.3 BID RESPONSIVENESS

All Responses received by the stated deadline will first be reviewed by the Procurement Coordinator to ensure that the Responses appear to contain the information required in this competition document. Only Bid Responses that meet the requirements will be forwarded for further substantive review. Any Response that does not appear to contain all of the required information or any Bidder who does not meet the mandatory qualifications will be rejected as non-responsive and will be removed from further evaluation. However, the Procurement Coordinator has the right to waive minor informalities, and/or seek clarification

if confused provided that neither alters the content of the Response. A bidder's failure to provide requested clarification within five (5) business days may result in disqualification.

State Parks reserves the right to: (1) Waive any informality (State Parks reserves the right to determine the actual level of Bidders' compliance with the requirements specified in this competition and to waive informalities in a bid). An informality is an immaterial variation from the exact requirements of the competition, having no effect or merely a minor or negligible effect on quality, quantity, or delivery of the supplies or performance of the services being procured.; (2) Reject any or all bids, or portions thereof; (3) Cancel the Competitive Solicitation and may re-solicit bids; and/or (4) Negotiate with the lowest responsive and responsible Bidder(s) (or Bidder with the most points) to determine if such bid can be improved. If, after a reasonable period of time, State Parks, in its sole judgement, cannot reach agreement on acceptable Contract terms with such bidder, State Parks may suspend negotiations and undertake negotiations with the next highest scored responsive, responsible bidder as determined by the evaluations.

6.4 BIDDER RESPONSIBILITY ANALYSIS

For responsive bids, State Parks must determine whether the bidder is a 'responsible bidder.' In determining bidder responsibility, State Parks must consider the following statutory elements:

- a) The bidder's ability, capacity, and skill to perform the contract or provide the service required;
- b) The bidder's character, integrity, reputation, judgment, experience, and efficiency;
- c) Whether the bidder can perform the contract within the time specified;
- d) The bidder's performance quality pertaining to previous contracts or services;
- e) The bidder's compliance with laws relating to the contract or services;
- f) Whether, within the three-year period immediately preceding the date of the Competitive Solicitation, the bidder has been determined by a final and binding citation and notice of assessment issued by the Washington State Department of Labor and Industries or through a civil judgment entered by a court of limited or general jurisdiction to have willfully violated, as defined in RCW 49.48.082, any provision of chapter 49.46, 49.48, or 49.52 RCW; and
- g) Such other information as may be secured having a bearing on the decision to award the Contract.

See RCW 39.26.160(2)(a)-(g). In addition, State Parks may consider the following:

- Best Value Criteria:
 - a) Whether the bid satisfies the needs of the state as specified in the solicitation documents;
 - b) Whether the bid encourages diverse contractor participation;
 - c) Whether the bid provides competitive pricing, economies, and efficiencies;
 - d) Whether the bid considers human health and environmental impacts;
 - e) Whether the bid appropriately weighs cost and noncost considerations; and
 - f) Life-cycle cost.

See RCW 39.26.160(3)(a)-(f).

-
- Financial Information: State Parks may request financial statements, credit ratings, references, record of past performance, clarification of bidder's offer, on-site inspection of bidder's or subcontractor's facilities, or other information as necessary to determine bidder's capacity to perform and the enforceability of bidder's contractual commitments. Failure to respond to these requests may result in a bid being rejected as non-responsive.
 - References: State Parks reserves the right to use references to confirm satisfactory customer service, performance, satisfaction with service/product, knowledge of products/service/industry and timeliness. Any negative or unsatisfactory reference can be reason for rejecting a bidder as non-responsible.

6.4.1 REJECTED BIDS/BIDDERS & REJECTION NOTIFICATION & REJECTION RESPONSE

This Rejection Response process is not governed by Washington's Administrative Procedures Act (APA), RCW 34.05, nor does it confer any additional rights above and beyond what the Bidder already enjoys as a taxpayer. The purpose of this process is to allow State Parks to correct evaluation process errors and problems before a contract is executed.

State Parks will perform a preliminary evaluation which is largely procedural. See Section 6.7.1 - Preliminary Evaluation (Procedural) and all of this section's subparts.

If State Parks determines that a bid or Bidder must be rejected under 6.7.1 and/or subparts, State Parks will send a rejection notification to the email address provided by the Bidder in the Bidder's Profile form (Appendix B). State Parks bears no responsibility for any issue or technological issue preventing actual receipt of the notification to the rejected Bidder.

Two Business-day Response Period: The Bidder may refute the rejection. The rejected Bidder must respond to the rejection within two (2) business-days following the day of rejection notification.

- The Bidder's Rejection Response **must be sent to** contracts@parks.wa.gov.
- Subject line must include the bid's identification number and "Rejection". See the first page or footer for the bid's identification number. (e.g., "**RFP # Rejection**")
- The Bidder must explain how and why State Parks erred in rejecting the Bidder's bid under Section 6.7.1 - Preliminary Evaluation (Procedural).

State Parks will consider the rejected Bidder's response, and if in State Parks' opinion, it determines error on our part, the bid will be moved forward to further evaluation. If State Parks determines it did not err, the bid will not be moved forward for evaluation.

The process detailed in this section does not supersede or displace the DEBRIEF process or PROTEST process. A Bidder may after the Announcement of Apparent Successful Bidder is announced, request a Debrief, and a Debrief is a prerequisite for a Protest. See Section 7.3 – Debriefing of Bidders and Section 7.4 – Protests for expanded details about the process and what State Parks will recognize as legitimate.

6.5 GENERAL EVALUATION PROVISIONS

The evaluation process is designed to award a contract to the Bidder with the best value based on the selected evaluation criteria.

Evaluations of subjective material will likely be conducted by the customer program requiring the goods/services or an evaluation team. State Parks has sole discretion over the selection

of evaluators and will make such selections based on each potential evaluator's availability, knowledge, skills, and experience with the subject matter. Evaluator(s) will independently grade and score or consensus score the Bidder's material based on their own independent judgment, and in accordance with the format noted herein for each respective requirement. Evaluator(s) will only evaluate the material contained in the Responses and will not incorporate outside material into their determinations. The evaluator(s) has sole discretion over his or her final scores.

Bidders should take every precaution to assure that all answers are clear, complete, and directly responsive to each specific requirement.

6.6 EVALUATION OF COMPLETION BY DATE

State Parks reserves the right to require that the Apparent Successful Bidder (ASB) provide within three (3) business days after request, satisfactory evidence of ability to have the services performed and completed by: not used. Failure to provide satisfactory evidence may be grounds for submittal rejection.

6.7 EVALUATION STEPS

6.7.1 Preliminary Evaluation (Procedural)

- a) Did the bid response arrive by the due date (deadline) to the proper location? Pass/Fail.
- b) Did the Bidder, on behalf of the Bidder's Firm, appear to bind the company to the commitment of the competition (manifestation of assent)? Pass/Fail. Acceptable manifestations of assent may include:
 - Is the bid signed by an individual (a person and NOT a group or team) electronic, with a wet-ink signature albeit provided as a PDF scan, photo, or other similar visual copy representation?
- c) Did the Bidder appear to provide and complete the information requested? Pass/Fail.
- d) Does the Bidder appear to accept the State Parks terms and conditions without reservation? Pass/Fail.
- e) Does the Bidder, under penalty of perjury, certify it is not a Wage violator (see Certification - Wage Theft Prevention)? Pass/Fail.
- f) Does the Bidder, under penalty of perjury, certify it supports worker's rights (see Certification - Supporting Workers' Rights)? Pass/Fail.
- g) If submittals were required, were the submittals provided and do they appear to be complete so that the bid could be compared to other conforming bids? Pass/Fail.
- h) If any bid is rejected at this stage, send a Rejection Letter to the Bidder's email address provided by the Bidder in Appendix B – Bidder's Profile. See also Section 6.4.1 – Rejected Bids/Bidders & Rejection Notification & Rejection Response. Allow the Rejection process to run its course and then for all remaining responsive bids, advance the bid(s) to Section 6.7.2 – Substantive Evaluation: Phase 1.

6.7.2 Substantive Evaluation: Phase 1

- a) Preferences and penalties: Preferences and penalties that are required by law, rule, or competition document will be applied to bid pricing. Preference reduces the Bidder's stated price by the amount of the preference and is an advantage to the Bidder. A penalty increases the Bidder's stated price by the amount of the penalty and is a disadvantage to the Bidder. *Preferences and penalties are applied to the pricing for evaluation purposes only but are not applied for purchasing purposes if awarded the contract.*

-
- Determine Reciprocity under [RCW 39.26.271](#), [WAC 200-300-075](#), [DES Reciprocity Map \(list\)](#). Determine the business address from which the bid was submitted. Check the DES Reciprocity Map (list) to determine, for evaluation purposes only, if the bid's pricing must be increased or rejected.
 - Determine Polychlorinated Biphenyls (PCB)
- b) If submittals were required, were the submittals provided and were they materially complete so that the material aspects of the bid response can be compared to other conforming bids? Pass/Fail. If a points methodology is being used instead of a pass/fail methodology, then determine the points.
 - c) Determine the low bid; use subtotal value. If a points methodology is being used instead of low bid methodology, then determine the points.
 - d) References: If not waived by State Parks, do the references reflect good customer service and good product quality, and no meaningful apprehension from using this Firm in the future? Pass /Fail. If a points methodology is being used instead of a pass/fail methodology, waiver is not allowed, State Parks must determine the points.
 - e) Responsibility of the Bidder: In determining the responsibility of the Bidder, State Parks may also consider: [RCW 39.26.160 Bid awards—Considerations—Requirements and criteria to be set forth—Negotiations—Use of enterprise vendor registration and bid notification system](#). If considered then Pass/Fail.
 - f) Upon determining the lowest priced responsive and responsible Bidder (or responsive and responsible Bidder with the most points), perform the Announcement of ASB UNLESS the Substantive Evaluation: PHASE 2 (optional) is used.

6.7.3 Substantive Evaluation: Phase 2 (Optional)

- a) Following PHASE 1 if State Parks so chooses the lowest priced responsive and responsible Bidder (or responsive and responsible Bidder with the most points) may be required to appear in some form and/or present additional materials to validate to the State Parks that the services or items offered meets the State Parks' needs and meets all other competition terms & conditions. If State Parks requests materials it deems necessary to validate the services or item offered, the materials must be provided within five (5) business days or face possible elimination. The Bidder WILL NOT be allowed to materially change its bid response and the examination will be limited to the validation of the item and/or services offered. If State Parks in its sole discretion determines that the Bidder's bid does not meet the State Parks needs and/or other competition terms & conditions, the Bidder's bid response will be rejected and the next lowest responsive and responsible (or responsive and responsible Bidder with the most points) bid response may be considered. This process may repeat itself until an Apparent Successful Bidder (ASB) is determined or the competition is cancelled.
- b) Upon determining the lowest priced responsive and responsible Bidder (or responsive and responsible Bidder with the most points), perform the Announcement of ASB.

6.8 SELECTION OF APPARENT SUCCESSFUL BIDDER

Note: The Bidder meeting all responsive criteria and having the lowest costs (or, highest final cumulative score) will be selected as the Apparent Successful Bidder (ASB).

State Parks will notify the Apparent Successful Bidder, and the non-successful Bidders, via email to the address provided in the Bidder's Profile – Appendix B - Primary Contact Person for Questions/Contract Negotiations.

7 ANNOUNCEMENT OF ASB, PUBLIC DISCLOSURE, DEBRIEF, AND PROTESTS

This section provides information about the announcement of the apparent successful bidder, public disclosure, and details the applicable requirements for complaints, debriefs, and protests.

7.1 ANNOUNCEMENT OF APPARENT SUCCESSFUL BIDDER (ASB)

Following the bid evaluation, State Parks will announce to all bidders the Apparent Successful Bidder (ASB) via email to the address provided in the Bidder's Profile - Appendix B. The Announcement of ASB starts a clock, and it is the bidder's responsibility to provide a working email. State Parks accepts no responsibility for the bidder's actual receipt of the Announcement of ASB.

The Announcement of Apparent Successful Bidder means State Parks currently believes the ASB is the lowest cost responsive and responsible bidder (or the bidder with the most points), but it is not a guarantee of a contract, State Parks Purchase Order, or purchase. State Parks reserves the right to reevaluate the ASB's bid to confirm it is as responsive, responsible, and successful as initially thought. ASBs should not commit funds, resources, or effort before receiving an executed contract and/or State Parks Purchase Order. Any premature action taken before contract execution is at the bidder's own risk and may result in no contract being executed if it causes disruption for State Parks.

Following the announcement of the ASB, bidders may request a debrief conference. The bidder will have a short period to request the debrief conference, which is a mandatory prerequisite for any bidder desiring to protest the award.

7.2 PROCUREMENT RECORDS DISCLOSURE

Procurement records for this competition cannot be released or viewed until after the Announcement of Apparent Successful Bidder (ASB); see Section 7.1 – Announcement of Apparent Successful Bidder. A Bidder may request copies of the competition records, including the solicitation and evaluation documents, or may inspect the competition records.

State Parks has a [Public Records Officer](#) and webpage for this purpose. If you'd like copies of these records, please click on the link(s) below for agency instructions.

- [Public Records Request Info](#)
- [Public Records Center](#)

When completing your request, it is helpful to identify it clearly to avoid delays. The email subject line should include the bid identification number and project name (e.g., "**RFP # Procurement Name**")

7.3 DEBRIEFING OF BIDDERS

Following the Announcement of Apparent Successful Bidder, an unsuccessful bidder may request a debriefing conference. The request for a debriefing conference must be received by the Procurement Coordinator within **three (3) business days** following the day of the Announcement of Apparent Successful Bidder. State Parks will then schedule a debriefing conference to review the bidder's bid (not other bids).

7.3.1 How To Request A Debrief Conference

Requests for debriefs should be addressed to the Procurement Coordinator via email to contracts@parks.wa.gov. The email's subject line must include the competition's number and the word "Debrief." (e.g., "**RFP # Debrief**") Failure to mark the email as instructed may result in the debrief being overlooked or misunderstood.

7.3.2 Debrief Meeting, Discussion, And Delay

Discussion will be limited to critiquing the requesting bidder's response. Comparisons with other responses or evaluations will not be allowed. Debriefing conferences, scheduled for a maximum of 30 minutes, may be conducted in person, via teleconference, or by phone. State Parks intends to hold all debriefings within a few days of the Announcement of Apparent Successful Bidder. The requesting bidder must have a representative available if they are unavailable. Bidders not available for the scheduled debriefing forgo their opportunity for debriefing and filing a protest (see section titled Protests).

7.3.3 Debrief Is A Prerequisite For Protest

A Debriefing Conference is a prerequisite to Protesting the Competition.

7.4 PROTEST

7.4.1 General:

This protest process is not governed by Washington's Administrative Procedures Act (APA), RCW 34.05, and does not confer any additional rights beyond those the bidder already has as a taxpayer. The purpose of this process is to allow State Parks to correct evaluation process errors and problems before a contract is executed.

Only a bidder who has participated in a debriefing conference may file a protest regarding this competition. The bidder must strictly adhere to the protest process outlined herein; failure to do so may result in a summary determination that the protest is without merit, without an opportunity to cure.

7.4.2 Form And Content:

All protests must:

- Be in writing.
- The protest must state and clearly articulate the grounds for the protest (see Section 7.4.3 – Content Limitations and 7.4.5 – Grounds Which May Be Protested) with specific facts and complete statements of the action(s) being protested.
- A description of the relief or corrective action being requested should also be included.
- All protests shall be addressed to the Procurement Coordinator.

7.4.3 Content Limitations:

State Parks does not currently mandate any page limitation. However, the protest must be clearly articulated, succinct, organized, logical, and professional.

State Parks will summarily reject protests that:

- fail to state and clearly articulate at least one of the three GROUNDS provided in Section 7.4.5 – Grounds Which May Be Protested;
- contain rants, attacks, and/or disparaging or abusive remarks;
- include multiple attachments or references to material (document dumping, document overload); OR,
- appear to require the reader to weigh through voluminous amounts of material to verify the argument being made or piece together voluminous amounts of material to decipher the argument being made.

7.4.4 Submission Of Protests

All protests must be submitted within five (5) business days after the day of the debriefing conference. Bidders must send all protests to contracts@parks.wa.gov. The email's subject line must include the competition's number and the word "Protest." (e.g., "**RFP # Protest**") Failure to mark the email as instructed may result in the protest being overlooked or misunderstood and not considered. Include the name of the protesting bidder, mailing address, phone number, and the name of the individual responsible for the submission of the protest.

7.4.5 Grounds Which May Be Protested

- Conflict of Interest on the part of State Parks staff.
- Errors in computing the score.
- Non-compliance with procedures described in the procurement document.

Protests will be rejected as without merit if they do not clearly and convincingly meet one of the GROUNDS above and/or seems to address issues such as:

- An evaluator's professional judgment on the quality of a response, or
- State Parks' assessment of its own and/or other agencies' needs or requirements, or,
- Issues, concerns, or requests for changes that could have been addressed during the Question-and-Answer Period, Complaint Period, or by a bidder rejected under Section 6.4.1 but failed to use the Rejection Response period timely.

7.4.6 Manager Assignment And Review

Upon receipt of a protest that meets the requirements described herein, a protest review will be held by State Parks. State Parks will assign a Manager who was not involved in the procurement. The Manager is responsible for reviewing and investigating the Bidder's written protest and may meet with agency staff or the agency program that was involved in the competition. The Manager may consider the record and all reasonably available facts and will issue a protest determination in writing within fifteen (15) business days from receipt of the protest. If additional time is needed, the Manager will notify the protesting party of the need for additional time within 15 business days from receipt of the protest.

If the protest affects another Bidder, State Parks may share the protest with them and invite their input.

Standard of Review: The Bidder must clearly and convincingly demonstrate that State Parks erred.

7.4.7 Protest Determinations And Findings

The Manager's protest determination may:

- Find the protest lacking in merit and reject the protest;
- Find only technical or harmless errors in State Parks' acquisition process and determine State Parks to be in substantial compliance and reject the protest; OR
- Find merit in the protest and provide State Parks options which may include:
 - Correcting the errors and re-evaluating all responses;
 - Canceling the competition and possibly for a new competition to take place; OR
 - Making other findings and determining other courses of action as appropriate.

If State Parks rejects the protest, State Parks will enter into a contract with the Apparent Successful Bidder no sooner than two business days after issuance of the protest determination by email to the protesting party at the email address indicated on the party's bid documents. For the purposes of timing, the date the protest determination is sent to the protesting party shall not count.

7.4.8 Agency Decision is final

The Manager's protest determination constitutes the agency's final decision regarding the protest. If the protesting party disagrees with the protest determination, the Bidder may seek judicial relief in the Washington Superior Court for Thurston County within 2 business days of the issuance of the protest determination.

8 ADDITIONAL GENERAL PROVISIONS FOR ALL BIDDERS

This section provides additional information regarding doing business with the State of Washington, including State Parks' efforts to enable Washington's small, diverse, and veteran-owned businesses to compete for and participate in state procurements for goods/services.

8.1 ANNOUNCEMENT AND SPECIAL INFORMATION

By responding to this competition document, a Bidder acknowledges they have read and understand the entire competition and accepts all information contained within the competition document without modification.

8.2 CONTRACTING WITH CURRENT OR FORMER STATE EMPLOYEES

Specific restrictions apply to contracting with current or former state employees pursuant to chapter 42.52 of the Revised Code of Washington (RCW). Those restrictions also apply to any Bidder submitting a Response under this competition who has hired a former state employee. Bidders should familiarize themselves with the requirements prior to submitting a Response that includes current or former state employees.

8.3 AMENDMENTS TO THE COMPETITION

State Parks reserves the right to revise this competition. All changes will be made by written competition amendments posted on WEBS and will become part of the competition. In case of conflicts, the most recent document controls. Amendments will consider the overall timeline, and State Parks will determine if extensions are needed. Bidders may only rely on the competition and amendments posted on WEBS. Any other communication, verbal or written, is nonbinding on State Parks.

8.4 RESPONSIVENESS OF BIDDER'S RESPONSE

Each bidder is notified that failure to comply with any part of the solicitation may result in their response being rejected as non-responsive. Rejected responses will not be further evaluated. State Parks will not be liable for any errors or omissions in the bidder's response. Bidders cannot alter their response after the submission deadline.

It is the bidder's responsibility to read, understand, and follow all instructions in the competition documents and any amendments. If a bidder does not fully understand any requirement, they should submit an inquiry to the Procurement Coordinator (see Section 2.3 – Questions and Answer Period). Failure to comply with any solicitation requirement may result in the response being rejected as non-responsive. State Parks reserves the right to waive any minor irregularity in a response but is not required to do so.

8.5 CLARITY AND CLARIFICATIONS

State Parks will make the sole determination of clarity and completeness of the Responses. No Response may be altered or amended after the submission deadline; however, State Parks reserves the right to contact a Bidder for clarification of responsive contents if necessary. NOTE: This clarification process is only used to clarify information that was contained within the Response; it is not a means of providing or incorporating new information that was otherwise not initially included. Evaluators have no obligation to seek or request clarification; they may evaluate the response as provided.

8.6 COST OF RESPONSE PREPARATION

State Parks will not reimburse Bidders for any costs associated with preparing or presenting a Response to this competition.

State Parks will not be liable for any costs incurred by the Bidder in preparation or presentation of a responsive Response to this competition.

State Parks will not pay for any costs accrued prior to a mutually executed contract resulting from this competition.

8.7 OWNERSHIP OF RESPONSES

All Responses and materials submitted in response to this competition document become the property of State Parks. State Parks has the right to use information or adaptations of information that is presented in a response.

8.8 FINAL SELECTION & NO OBLIGATION

State Parks reserves the right, at its sole discretion, to reject all responses without penalty and not to issue a contract as a result of this solicitation. State Parks further reserves the right to cancel or reissue this competition prior to execution of a contract, if it is in the best interest of State Parks to do so, as determined by State Parks in its sole discretion.

8.9 INCORPORATION OF RESPONSE IN CONTRACT

The Bidder's response, including all promises, warranties, commitments, and representations made in the successful Response, are binding and shall be incorporated by reference into State Parks' contract with the Bidder.

8.10 STATEWIDE VENDOR PAYMENT REGISTRATION

Bidders are urged to be registered in the Statewide Vendor Payment system, prior to submitting a request for payment under this Contract. The Washington State Office of Financial Management (OFM) maintains a central Bidder registration file for Washington State agencies to process Bidder payments.

To obtain registration materials go to the Statewide/Vendor Payee Services website at <https://ofm.wa.gov/it-systems/statewide-vendorpayee-services> . The registration form has two parts. Part 1 is the information required to meet the above registration conditions. Part 2 allows State Parks (and other state agencies) to pay invoices electronically with direct deposit. This is the most efficient method of payment, and vendors are encouraged to sign up.

8.11 WEBS REGISTRATION

Individuals and firms interested in state contracting opportunities with the awarding agency or any state agency should register for competitive solicitation notices at the Washington Electronic Business Solution (WEBS) [WEBS Registration](#). Note: There is no cost to register on WEBS.

8.12 POLYCHLORINATED BIPHENYLS (PCBS) NOTICE

Polychlorinated biphenyls, commonly known as PCBs, have adverse effects on human health and the environment. Accordingly, the State of Washington, through its procurements of goods/services, is trying to minimize the purchase of products with PCBs and to incentivize its contractual vendors to sell products and products-in-packaging without PCBs.

8.13 SMALL AND DIVERSE BUSINESS

State Parks, in accordance with Washington law, encourage small and diverse businesses to compete for and participate in state procurements as contractors and as subcontractors to awarded bidders. See, e.g., [RCW 39.19](#) (OMWBE certified businesses); [RCW 43.60A.200](#) (WDVA certified veteran-owned businesses); and [RCW 39.26.005](#) (Washington small businesses). In support of the state's economic goals and to support a diverse supplier pool,

State Parks has established the following voluntary numerical goals for State Parks' Competitive Solicitations:

- Ten percent (10%) Minority-Owned Businesses certified by the Washington State Office of Minority and Women's Business Enterprises (OMWBE);
- Six percent (6%) Women-Owned Businesses certified by the Washington State Office of Minority and Women's Business Enterprises (OMWBE);
- Five percent (5%) Veteran-Owned Businesses certified by the Washington State Department of Veterans Affairs (WDVA); and
- Twenty-Five percent (25%) Washington Small Businesses, five percent (5%) of which are microbusinesses or mini businesses as defined in RCW 39.26.010(16) and (17).

Achievement of these goals is encouraged whether directly or through subcontractors.

- **OMWBE CERTIFICATION.** Bidders may contact the Washington State Office of Minority and Women's Business Enterprises (OMWBE) regarding information on Minority-Owned and Women-Owned certified firms, state and federal certification programs, or to become certified. OMWBE can be reached by telephone, 866-208-1064, or through their website at OMWBE. OMWBE-Certified firms may provide their certification information on Appendix B – Bidder's Profile.
- **WDVA CERTIFICATION.** Bidders may contact the Washington State Department of Veterans' Affairs (WDVA) for information regarding Certified Veteran-Owned businesses or to become a Certified Veteran-Owned Business. The WDVA can be reached by telephone, (360) 725-2169, or through their website at WDVA. The qualification requirements to be a Certified Veteran-Owned Business are set forth in 5.3 Washington State Procurement Priorities & Preference.
- **WASHINGTON SMALL BUSINESSES.** Bidders may contact State Parks about small and diverse business inclusion and qualification as a Washington Small Business. If you qualify as a Washington Small Business, identify yourself as such in WEBS. Call WEBS Customer Service at 360-902-7400. The qualification requirements to self-certify as a Washington Small Business are set forth in 5.3 Washington State Procurement Priorities & Preference.

8.14 ACCESS EQUITY CONTRACT REPORTING

Bidders who are awarded a Contract (i.e., Contractor) pursuant to this Competitive Solicitation and **who utilize subcontractors to perform such Contract** must, as a condition of Contract award, register and report, as Contractor, through Access Equity, Washington's secure online business diversity vendor management system (B2GNow), which is managed by Washington's Office of Minority and Women's Business Enterprises (OMWBE). Accordingly, please note:

- Regardless of whether Contractor previously has registered with B2GNow for any public entity, Contractor must verify that Access Equity has current information.
- During the Contract term, Contractor shall report monthly through Access Equity any payments to subcontractors pertaining to the Contract. Such reporting shall include total payment in dollars made to subcontractors, payment dates, and any additional information required to verify payment to subcontractors.
- Subcontractors must utilize Access Equity to verify such payment information as reported by Contractor.

-
- Information regarding Access Equity is available at OMWBE's website: <https://omwbe.wa.gov/>. Online training for Access Equity is available through OMWBE.

8.15 PUBLIC DISCLOSURE & WAIVER OF PROPRIETARY INFORMATION

- See Section 7.2 Public Records Disclosure.
- See Appendix A – Bidder's Certification, Assurances, and Waiver, at subsection S - Bidder's Waiver And Release of Information, Public Disclosure is Authorized and Not Restricted.

8.16 CIVIL RIGHTS COMPLIANCE

The Director of State Parks, in accordance with the provisions of Title VI of the Civil Rights Act of 1964 (78 Stat. 252, 42 U.S.C. §§ 2000d to 2000d-4) and the Regulations, hereby notifies all Bidders will be afforded full opportunity to submit bids in response to this invitation and will not be discriminated against on the grounds of the owner's race, color, national origin, sex, age, disability, income-level, or LEP in consideration for an award. State Parks will also affirmatively ensure that any contract entered into pursuant to this solicitation will require full incorporation of these rights in relation to all employees, personnel, and agents of the Bidder.

9 APPENDICES AND EXHIBITS

All Appendices noted below must be included as part of the Bidder's Response

- Appendix A (Section 9.1): Bidder's Certifications, Assurances, and Waiver (**sign and return all pages**)
- Appendix B (Section 9.2): Bidder's Profile (**return all pages**)
- Appendix C (Section 9.3): Bid Price (**return all pages**)
- Experience and Expertise (Section 4.5) (self-authored)
- WA Small Business/Veteran Owned Business Certification (Section 4.6) (self-authored)
- Appendix D (Section 9.4) References (**return all pages**)
- Appendix E – Diverse Business Inclusion Plan - Subcontractors (Section 9.5) (**return all pages**)

EXHIBITS

- Exhibit A (Section 9.6): Sample Contract & General Contract Terms And Conditions

Continue on next page

9.1 (APPENDIX A) – BIDDER’S CERTIFICATIONS, ASSURANCES, AND WAIVER

Bidder, through the duly authorized undersigned, makes this certification as a required element of submitting a responsive bid. Bidder certifies, to the best of its knowledge and belief that the following are true, complete, correct, and made in good faith:

- a) I/My Firm make the following certifications and assurances as a required element of the proposal (bid response) to which it is attached, understanding that the truthfulness of the facts affirmed here and the continuing compliance with these requirements are conditions precedent to the award or continuation of the related contract(s):
- b) Bidder certifies that Bidder has not, either directly or indirectly, entered into any agreement, participated in any collusion, or otherwise taken any action in restraint of free competitive bidding in connection with this Competitive Solicitation. Bidder further certifies that Bidder’s bid prices have been arrived at independently, without engaging in collusion, bid rigging, or any other illegal activity, and without for the purpose of restricting competition any consultation, communication, or agreement with any other bidder or competitor relating to (a) those prices, (b) the intention to submit a bid, or (c) the methods or factors used to calculate the prices offered. Bidder further certifies that Bidder has not been and will not knowingly disclose its bid prices, directly or indirectly, to any other bidder or competitor before award of a Contract, unless otherwise required by law. Bidder further certifies that Bidder has made no attempt and shall not make any attempt to induce any other person or firm to submit or not to submit a bid for the purpose of restricting competition. Bidder, however, freely may join with other persons or organizations for the purpose of presenting a joint bid. Whether done directly or indirectly, communicating bid information with other bidders, collusion, or anti-competitive actions among bidders are prohibited. If there is evidence of such communication, collusion, or anti-competitive activities among bidders, State Parks reserves the right to disqualify such bidders
- c) I/we declare that all answers and statements made in the proposal are true and correct.
- d) The prices and/or cost data have been determined independently, without consultation, communication, or agreement with others for the purpose of restricting competition. However, I/we may freely join with other persons or organizations for the purpose of presenting a single proposal.
- e) The attached proposal is a firm offer for a period of 90 days following receipt, and it may be accepted by Washington State Parks and Recreation Commission (State Parks) without further negotiation (except where obviously required by lack of certainty in key terms) at any time within the 90-day period.
- f) In preparing this proposal, I/My Firm have not been assisted by any current or former employee of the state of Washington whose duties relate (or did relate) to this proposal or prospective contract, and who was assisting in other than his or her official, public capacity.
- g) I/My Firm understand that State Parks will not reimburse me/my Firm for any costs incurred in the preparation of this proposal. All proposals become the property of State Parks, and I/My Firm claim no proprietary right to the ideas, writings, items, or samples.
- h) Unless otherwise required by law, the prices and/or cost data that have been submitted have not been knowingly disclosed by the Bidder and will not knowingly be disclosed by him/her prior to opening, directly or indirectly to any other Proposer or to any competitor.
- i) I/My Firm agree that submission of the attached proposal constitutes acceptance of the solicitation contents and the attached sample contract and general terms and conditions (if any), and any other instructions, Terms & Conditions, AND competition amendments to the same. Further:

1. Alterations to State Parks Documents: I/My Firm understand and agree that I/My Firm shall not and has not altered or deviated from the original competition and any follow-on competition amendments and if my/my Firm's bid response received by State Parks materially alters or deviates from the competition or competition amendments (if any) then the bid response may be disqualified. Whether the alteration is noticed or not noticed by State Parks, any resulting contract (including any type of order placement) SHALL continue with the altered portions or deviations being ignored in favor of the State Parks official language (original competition and any follow-on competition amendments) as posted on the Washington Electronic Business Solutions (WEBS) which acts as the system of record for this competition. The awarded Contractor understands, agrees, and accepts this provision and SHALL hold harmless and save harmless the State Parks.
 2. Unrequested Supplemental Materials in Bidders Bid Response: I/My Firm understands and agrees that I/My Firm shall not and has not supplemented my/my Firm's Bid Response with unrequested materials. Whether the unrequested material is noticed or not noticed by State Parks, any resulting contract (including any type of order placement) SHALL continue with the unrequested material being ignored in favor of the State Parks official language. The awarded Contractor understands, agrees, and accepts this provision and SHALL hold harmless and save harmless the State Parks.
- j) No attempt has been made or will be made by the Bidder to induce any other person or firm to submit or not to submit a proposal for the purpose of restricting competition.
 - k) I/My Firm grant State Parks the right to contact references, systems, sources, and others, who may have pertinent information regarding the Bidder's prior experience and ability to perform the services contemplated in this procurement.
 - l) If any staff member(s) who will perform work on this contract has retired from the State of Washington under the provisions of the 2008 Early Retirement Factors legislation, his/her name(s) is noted on a separately attached page.
 - m) Bidder (including Bidder's officers) certifies Bidder has not, within the three (3) year period preceding the date of this Competitive Solicitation, been convicted or had a civil judgment rendered against Bidder for commission of fraud or a criminal offense in connection with obtaining, attempting to obtain, or performing a governmental contract; violation of any federal or state antitrust statute; or commission of embezzlement, theft, forgery, bribery, falsification or destruction of records, making false statements, or receiving stolen property. Bidder further certifies that it is not presently indicted or otherwise criminally or civilly charged by a governmental entity with commission of any of the offenses enumerated in this paragraph.
 - n) Bidder certifies Compliance with Statutory Nondiscrimination Clauses for State Contracts. During the term of an awarded Contract, Bidder, including any subcontractor, shall not discriminate on the bases enumerated at RCW 49.60.530(3). Bidder, including any subcontractor, also shall give written notice of this nondiscrimination requirement to any labor organizations with which Bidder, or subcontractor, has a collective bargaining or other agreement. In addition, Bidder, including any subcontractor, shall cooperate with any Washington state agency investigation regarding any allegation that Bidder, including any subcontractor, engaged in prohibited discrimination set forth in RCW 49.60.530(3).
 - o) Bidder complies with all applicable requirements regarding civil rights. Such requirements prohibit discrimination against individuals based on their status as protected veterans or individuals with disabilities, and prohibit discrimination against all individuals based on their race, color, religion, sex, sexual orientation, gender identity, or national origin.
 - p) Bidder certifies No Termination For Default or Cause. Bidder has not, within the three (3) year period preceding the date of this Competitive Solicitation, had one (1) or more federal, state, or local governmental contracts terminated for cause or default.

(APPENDIX A) – CERTIFICATIONS AND ASSURANCES AND WAIVER (return this page)

- q) Bidder certifies, Taxes Paid. Except as validly contested, Bidder is not delinquent and has paid or has arranged for payment of all taxes due to the State of Washington and has filed all required returns and reports as applicable.
- r) Bidder certifies, Financially Solvent. Bidder is financially stable and solvent, has adequate cash reserves to meet all financial obligations, has not commenced bankruptcy proceedings voluntarily or otherwise, and is not subject to any judgments, liens, or encumbrances of any kind affecting title to any Goods or Services that are the subject of this Competitive Solicitation.
- s) Bidder's Waiver And Release of Information, Public Disclosure is Authorized and Not Restricted:

I/My Firm grants to the State of Washington and the Washington State Parks and Recreation Commission a full and complete release of information of my/my Firm's bid response and other documents or information pertaining to the same and if also awarded the contract then to the contract and any documents or information involving or pertaining to the contract. Markings of "confidential", "proprietary" or similar term are unintentional and SHALL be ignored. Further, these materials or bid response may be publicly disclosed with no advanced notice to the Bidder/Contractor (me/my Firm). The Bidder/awarded Contractor (me/my Firm) understands, agrees, and accepts this provision and SHALL hold harmless and save harmless the State of Washington and State Parks.

- t) Certification - Wage Theft Prevention:

Prior to awarding a contract, agencies are required to determine that a Bidder is a 'responsible Bidder.' See RCW 39.26.160(2) & (4). Pursuant to legislative enactment in 2017, the responsible Bidder criteria include a Bidder/contractor certification that the Bidder/contractor has not willfully violated Washington's wage laws. See Chap. 258, 2017 Laws (enacting SSB 5301).

I/My Firm certifies under penalty of perjury under the laws of the state of Washington the following is true and correct: No Wage Violations. This Firm has NOT been determined by a final and binding citation and notice of assessment issued by the Washington Department of Labor and Industries or through civil judgement entered by a court of limited or general jurisdiction to have willfully violated, as defined in RCW 49.48.082. any provision of RCW chapters 49.45, 49.48., or 49.52 within the three (3) prior years to the date of this competition's date of issue.

- u) Certification - Supporting Workers' Rights:

Pursuant to the Washington State Governor's Executive Order 18-03 (dated June 12, 2018), the Washington State Parks and Recreation Commission is seeking to contract with qualified entities and business owners who certify that their employees are not, as a condition of employment, subject to mandatory individual arbitration clauses and class or collective action waivers.

I/My Firm certifies under penalty of perjury under the laws of the state of Washington the following is true and correct: No Mandatory Individual Arbitration Clauses and Class or Collective Action Waivers for Employees. This firm does NOT require its employees, as a condition of employment, to sign or agree to mandatory individual arbitration clauses or class or collective action waivers.

- v) ELECTRONIC SUBMISSION OF DOCUMENTS ARE LEGALLY BINDING:

Washington State recently enacted law allowing for electronic alternatives to pen-to-paper wet-ink signature on hardcopy documents, meaning if State Parks agrees to alternatives other than wet-ink signature (pen-to-paper) on hardcopy documents, these alternatives may be accepted by State Parks and are legally binding. See RCW 1.80.

(APPENDIX A) – CERTIFICATIONS AND ASSURANCES AND WAIVER (return this page)

For purposes of this competition document State Parks is accepting a PDF scan (or similar representation) of the Bidder’s wet-ink signature in the signature space below. **For clarity:** Print out the competition document(s), review it, include any other required document, complete where necessary, sign where you need to sign with a pen onto the paper, when you believe your bid response is ready to be submitted to State Parks, **scan it as a PDF file** and attach the file to your business email and send it to State Parks. For expanded details see Section 5.1 – Submission of Responses.

I/My Firm certifies under penalty of perjury under the laws of the state of Washington that submission of my/my Firm’s bid response and accompanying copy of my signature is legally binding on me/my firm, and that the State Parks may rely upon its authenticity.

I, acting as my Firm’s authorized representative declare on behalf of me/my firm under penalty of perjury under the laws of the State of Washington forgoing Certification and Assurances and Waiver is true and correct.

BIDDER NAME: _____

Print Name of Bidder – Print full legal entity name of the firm submitting the Bid If Bidder is a sole proprietor, print the full legal name of the individual who is the Bidder submitting the Bid

By: _____

Signature of Bidder’s authorized person

_____ Print Name of person making certifications for Bidder

Title: _____

Title of person signing certificate

Place: _____

Print city and state where signed

Date: _____

9.2 (APPENDIX B) – BIDDER PROFILE

Bidder must provide all requested information in the space provided next to each numbered section below.

Many of the questions require information if you answer “yes”. Please provide your response in the space provided unless otherwise directed to submit on a separate page (note: the spaces provided can expand to allow for more text to be typed in if necessary). If you are directed to provide answers on a separate page, please identify the question and corresponding number that you are responding to, and attach that document to this Appendix B.

COMPANY INFORMATION:

(a)	Firm Legal Name*		
	Street Address**		
	Mailing Address		
	City, State, ZIP		
Bidder Organization Type: Check appropriate box	Corporation:	<input type="checkbox"/> Domestic	<input type="checkbox"/> Foreign
	Limited Liability Company (LLC):	<input type="checkbox"/> Domestic	<input type="checkbox"/> Foreign
	Partnership:	<input type="checkbox"/> Domestic	<input type="checkbox"/> Foreign
	Sole Proprietorship:	<input type="checkbox"/>	
	* Note: A sole proprietorship is an unincorporated business owned and run by an individual with no distinction between the business and the owner. It is not a legal entity. It simply refers to a person who owns the business and is personally responsible for its debts and who pays personal income taxes on profits earned from the business. If you are a bidder who operates a business on your own, you automatically are a sole proprietor unless you have adopted a business structure (e.g., corporation, LLC, partnership).		

***Legal Name:** Many companies use a “Doing Business As” name or a nickname in their daily business. However, the State requires the legal name of your company as it is legally registered in the State of Washington or the state in which your company was registered. This should include the type of entity – Inc., LLC, LP, etc.

** **RECIPROCITY:** For purposes of [RCW 39.26.271](#) (Reciprocity) the Bidder’s physical address will be used. Bidder MUST provide a physical address for his place of business. A post office box IS NOT a physical address.

(b)	DBA (if any)		
	Telephone Number(s)		
	Area Code:	Number:	Extension:
	Area Code:	Number:	Extension:

(c)	A list identifying which parties of the organization have the authority to sign contracts/ amendments on behalf of the Bidder’s entity.

(d)	Names, addresses, e-mail addresses and telephone numbers of the sole proprietor, partners, or principal officers as appropriate to the organization		
	Name & Title:		
	Address:		
	Email Address:		
	Telephone Number		
	Area Code:	Number:	Extension:

9.3 (APPENDIX C) – BID PRICE (MUST BE LEGIBLE)

BIDDER:

Instructions:

1. Bidder must complete all columns in the tables below. For any portion that is not applicable, please enter N/A.
2. Bidder must enter a not-to-exceed (NTE) rate it will charge to perform the services as described in the competitive solicitation. NTE rate must include all costs or expenses, excluding travel expenses, necessary to perform the services and will be the maximum allowable rate used in the Contract.

Columns left blank may be deemed nonresponsive and will not continue further in the process..

Section A: Services Note: This table is intended to capture all costs associated with the proposal time				
	Quantities	Unit Measure	Unit Price	Total Cost
Jarrell Cove Cross Bracing Collars- diameters vary, set includes 4 brackets each	6	Sets	\$	\$ -
Jarrell Cove Cross bracing turnbuckles, rods, clevis pins (various lengths)	6	Sets	\$	\$ -
Jarrell Cove Miscellaneous fasteners for collar sets	1	L.S.	\$	\$ -
Mystery Bay Pile Posts- lengths vary	5	L.S. for all 5 of various lengths	\$	\$ -
Mystery Bay Cross Bracing Collars- diameters vary, set includes 4 brackets each	7	Sets	\$	\$ -
Mystery Bay Cross Bracing turnbuckles, rods, clevis pins (various lengths)	7	Sets	\$	\$ -

(APPENDIX D) - REFERENCES (return this page)

Mystery Bay Miscellaneous fasteners for collar sets	1	L.S.	\$	\$ -
TOTAL PROJECT COST (without tax)				\$ -

9.4 (APPENDIX D) - REFERENCES (must be legible)

In the Table below the Bidder shall provide five (5) references from customers or businesses, for which the Bidder has provided similar goods and services, and that the Reference can speak to the quality of the Bidder's goods and Bidder's customer service. State Parks reserves the right to request additional references and independently contact anyone that may have knowledge of the Bidder's Firm. Bidder's grant of its Release of Information also authorizes State Parks to firms/parties other than those listed below.

Company & Name of Person	Phone & Email
<i>(EXAMPLE)</i> Anything LLC John Smith	<i>(EXAMPLE)</i> 360.555.5555 john.smith@haha.com

(APPENDIX D) - REFERENCES (return this page)

--	--

(APPENDIX E) - DIVERSITY BUSINESS INCLUSION PLAN – SUBCONTRACTORS

(return this page)

9.5 (APPENDIX E) – DIVERSITY BUSINESS INCLUSION PLAN - SUBCONTRACTORS

DIVERSE BUSINESS INCLUSION PLAN – SUBCONTRACTORS FOR BIDDERS WHO PLAN TO UTILIZE SUBCONTRACTORS TO PERFORM THE CONTRACT, IF AWARDED

Contractor Name: _____

For the purposes of this form, Washington State-certified diverse businesses are defined as follows:

- Minority Business Enterprise (MBE), Women’s Business Enterprise (WBE), or combination of the two. Certified by the Office of Minority and Women’s Business Enterprises (OMWBE): <http://omwbe.wa.gov/>
- Veteran-owned Business. Certified by the Department of Veteran’s Affairs (DVA): <http://dva.wa.gov/>
- Small Business (includes Mini and Micro businesses). Certified through the Washington Electronic Business Solution (WEBS): <https://fortress.wa.gov/ga/webs/home.html>

Anticipated Certified Diverse Business Participation Goals

Subcontracting means direct performance of commercially useful work through subcontracting as part of the proposed project team. Of the total contract work, what are the diverse business participation goals proposed for subcontracting on your team? Please only include the above-listed Washington State certification types in your “Consultant-defined Anticipated Percent of Contract Amount (Goals)” estimate. Zero percent (0%) is not a goal.

Anticipated Certified Diverse Business Participation Goals	Washington State Goals	Consultant-defined Anticipated Percent of Contract Amount (Goals)
Minority-owned business (MBE)	10%	%
Women-owned business (WBE)	6%	%
Veteran-owned business (DVA)	5%	%
Small business	5%	%

Subcontracting Team

List the names of the diverse businesses you anticipate using on this project. Generally describe the work you expect the diverse business to perform and identify the percent of total contract value intended for each diverse business. Please include the above-listed Washington State certification types. *If necessary, add more rows below.*

Name of Diverse Business	Specify Diverse Business Certification (circle one or more)	Describe Trade or Task	Anticipated Percent of Contract Amount
	MBE, WBE, DVA, Small		%
	MBE, WBE, DVA, Small		%
	MBE, WBE, DVA, Small		%
	MBE, WBE, DVA, Small		%
	MBE, WBE, DVA, Small		%

Describe bidder’s plan to meet or exceed bidder’s voluntary diverse business inclusion plan – subcontractors’ goals, including outreach.

(APPENDIX E) - DIVERSITY BUSINESS INCLUSION PLAN – SUBCONTRACTORS

(return this page)

Diverse Expert:

Identify the person within your team to manage your diverse inclusion responsibilities.

Diverse Expert Name: _____

Diverse Expert Contact Information: _____

Diverse Expert Firm (if another firm is managing participation): _____

Past Performance

Please select **five (5) of your projects** with Washington State-certified diverse business participation (MBE, WBE, DVA, and/or Small/Mini/Micro) and list them below **for the last five (5) years**. If you do not have any projects that tracked or reported diverse business participation, you may leave this section blank. In that case, please attach an additional sheet with explanation.

You may have projects with diverse business participation for an organization or entity that required *different* diverse business categories (including self-certification). If so, please attach a sheet with the same column data and information but include percentages for the categories that were tracked during the project.

Contract Name	Contracting Agency or Entity	Contract Amount	Year	Percent of Contract Amount	
		\$		Minority-owned business:	%
				Women-owned business:	%
				Veteran-owned business:	%
				Small/mini/micro business:	%
Contract Name	Contracting Agency or Entity	Contract Amount	Year	Percent of Contract Amount	
		\$		Minority-owned business:	%
				Women-owned business:	%
				Veteran-owned business:	%
				Small/mini/micro business:	%
Contract Name	Contracting Agency or Entity	Contract Amount	Year	Percent of Contract Amount	
		\$		Minority-owned business:	%
				Women-owned business:	%
				Veteran-owned business:	%
				Small/mini/micro business:	%
Contract Name	Contracting Agency or Entity	Contract Amount	Year	Percent of Contract Amount	
		\$		Minority-owned business:	%
				Women-owned business:	%
				Veteran-owned business:	%
				Small/mini/micro business:	%
Contract Name	Contracting Agency or Entity	Contract Amount	Year	Percent of Contract Amount	
		\$		Minority-owned business:	%
				Women-owned business:	%
				Veteran-owned business:	%
				Small/mini/micro business:	%

State Parks will review the submitted inclusion plan for genuine efforts.

9.6 (EXHIBIT A) – Sample Contract & General Contract Terms And Conditions

A sample contract with general terms and conditions is provided in this section and/or will be separately posted on WEBS with a file name of “Exhibit A / Sample Contract.” The file name may or may not also include the competition’s number as part of the file name.

The sample contract is a close representation but not a perfect representation of what the Apparent Successful Bidder (ASB) will be expected to sign. The actual agreement will need to include elements of the ASB’s bid response, any negotiated conditions, the statement of work, performance periods, contractor information, compensation, and any updates to comply with law, regulation, or policy. Should the ASB refuse to sign the State Parks drafted contract, the ASB will be disqualified.

CENTERLINE OF EXISTING HOLE

CENTERLINE OF EXISTING HOLE

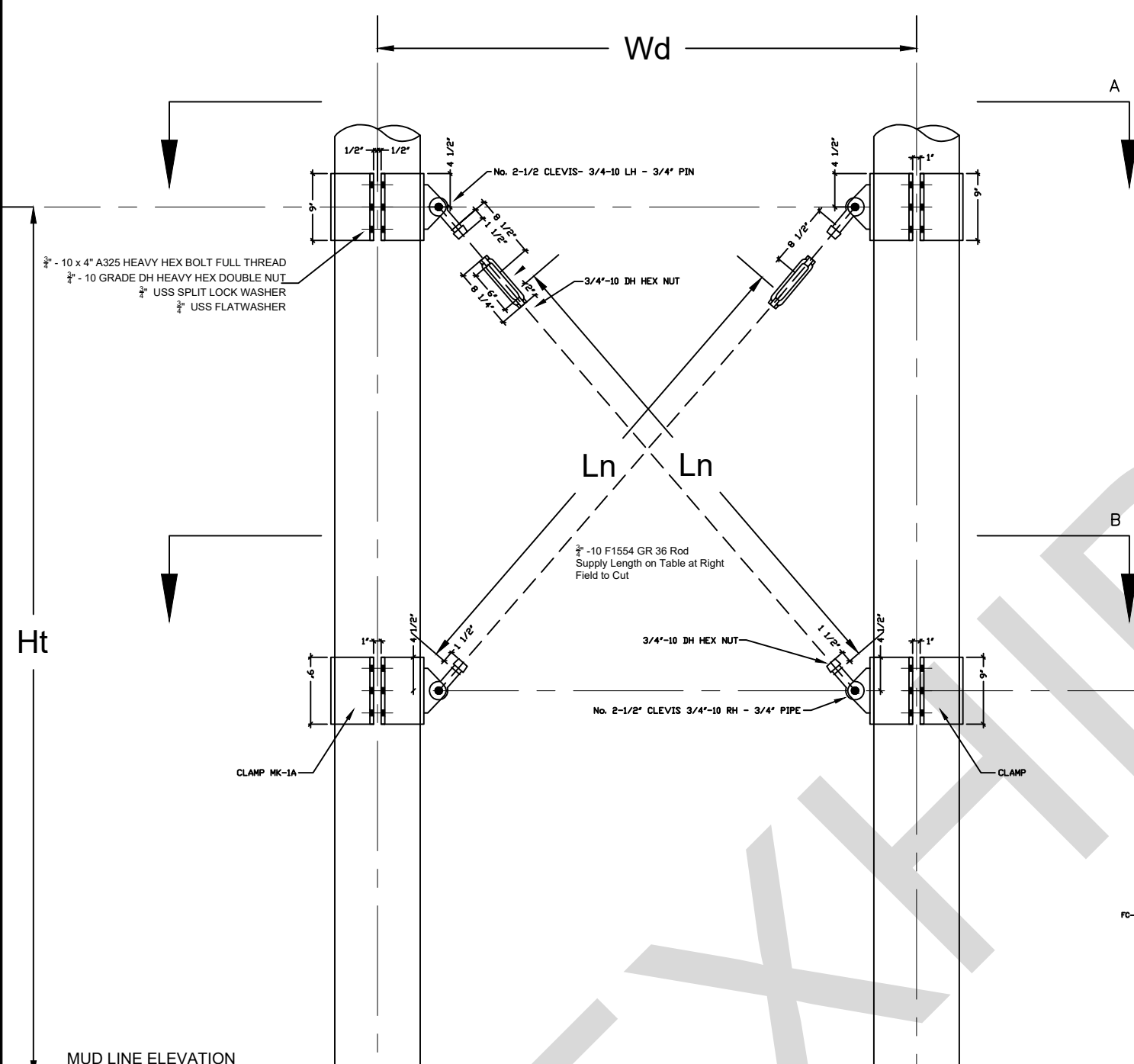
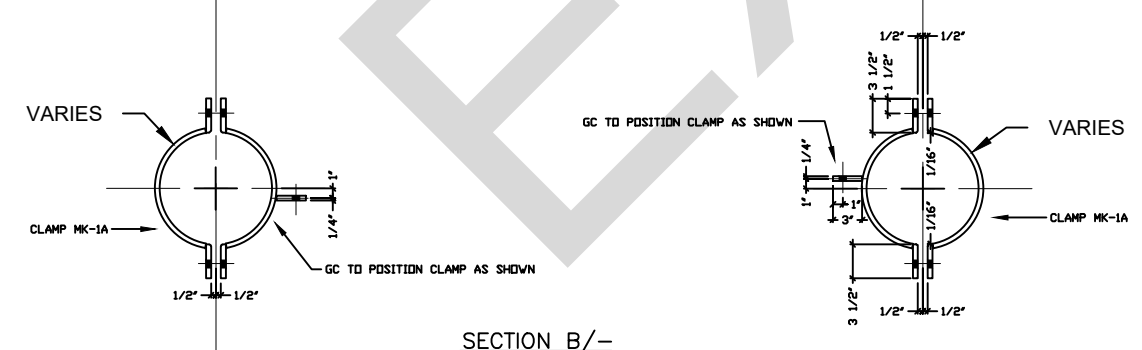
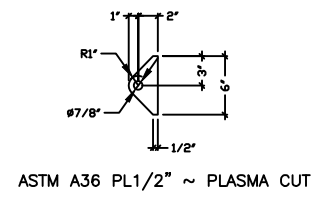
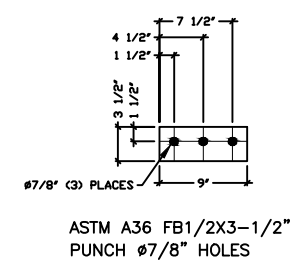
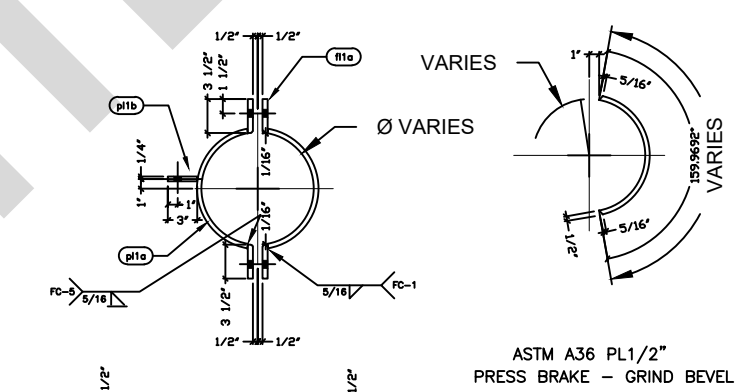


TABLE OF FABRICATION ITEMS					
PARK/BENT	TOP LEFT DIA (IN)	TOP RIGHT DIA (IN)	BOTTOM LEFT DIA (IN)	BOTTOM RIGHT DIA (IN)	CROSS BRACE LENGTH OVERALL (IN)
MYSTERY BAY BENT 2	13	12	13	12	74
MYSTERY BAY BENT 4	12	12	12	12	84
MYSTERY BAY BENT 5	11	12	11	12	84
MYSTERY BAY BENT 7	12	12	12	12	84
MYSTERY BAY BENT 9	12	12	12	12	84
MYSTERY BAY BENT 12	12	13	12	13	84
MYSTERY BAY BENT 13	12	12	12	12	84
JARRELL BENT 1	11	11	11	12	86
JARRELL BENT 3	9	11	11	15	108
JARRELL BENT 4	9	10	11	12	144
JARRELL BENT 5	10	10	14	11	108
JARRELL BENT 6	9	9	14	14	120
JARRELL BENT 7	10	10	14	12	120

FABRICATION NOTES:
 ALL ITEMS HDG AFTER FABRICATION
 PROVIDE ALL HARDWARE
 ALL DIAMETERS INSIDE DIMENSION



SECTION B/-

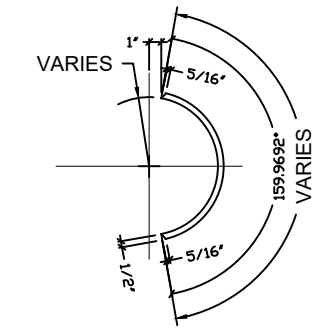
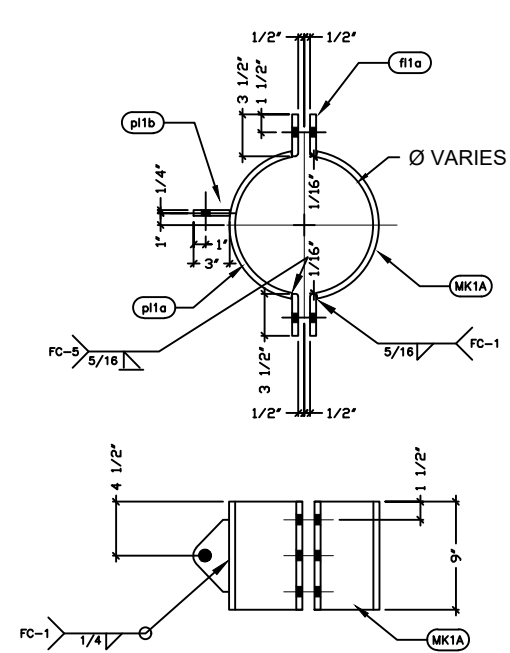
CAD NO.		DATE
		APP.
		INT.
		NO.

ACTION	BY	DATE
DESIGNED		
DRAWN		
CHECKED (FIELD)		
CHECKED (HDQTS.)		

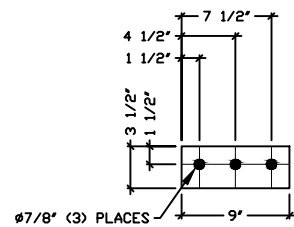
REGISTERED STAMP
 WASHINGTON STATE PARKS AND RECREATION COMMISSION

STEEL CROSS-BRACING
 STANDARD BENT REPAIR

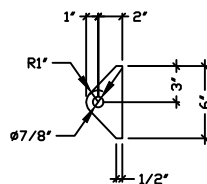
SCALE: NTS
 SHEET 2 OF 3
 PARKS FILE#



ITEM MK-1A - pl1a
 ASTM A36 PL1/2"
 PRESS BRAKE - GRIND BEVEL



ITEM fl1a
 ASTM A36 FB1/2X3-1/2"
 PUNCH Ø7/8" HOLES



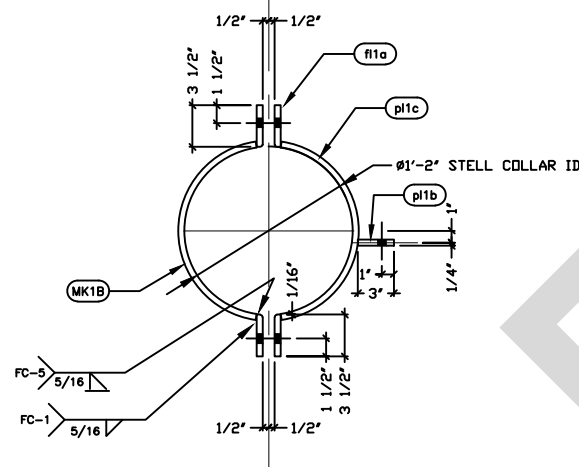
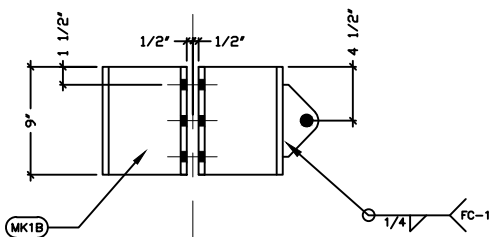
ITEM pl1b
 ASTM A36 PL1/2" ~ PLASMA CUT

JOB NO.		PAINT		WELD				
		SSPC-SP3 - HOT DIP GALVANIZE		E70XX - DUAL SHIELD				
MATERIAL ASTM A36 STEEL BARS AND PLATE - DOMESTIC								
WEIGHTS		A-36	AL.	SST.				
BILL OF MATERIALS								
SHIP	MARK #	ITEM #	QTY.	DESCRIPTION	LENGTH		WEIGHT	COMMENT
					FEET	INCHES		
17	1A		17	PL1/2X9"	1'-4	1/16"	347	
		pl1a	17	DO	1'-4	1/16"	347	
		pl1b	17	PL1/2X6"	0'-3"		27	
		fl1a	68	FB1/2X3-1/2"	0'-9"		303	
3	1B		3	PL1/2X9"	1'-8"		76	
		pl1c	3	DO	1'-8"		76	
		pl1b	3	PL1/2X6"	0'-3"		5	
		fl1a	12	FB1/2X3-1/2"	0'-9"		53	

See cross brace quantities on page 2
 Provide all fabricated parts and fasteners

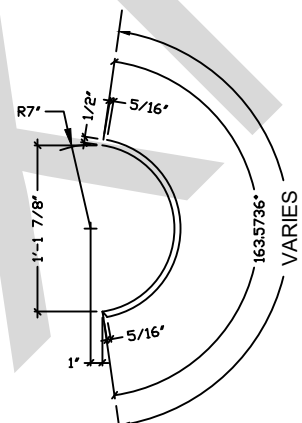
MK-1A STEEL CLAMP AT EXISTING TIMBER PILES

ASTM A36 STEEL PLATE AND BARS
 SSPC-SP3 POWER TOOL CLEAN - H.D.G. AFTER FABRICATION
 RADIUS ALL CUT EDGES 1/16" (+/-)



MK-1B STEEL CLAMP AT FRP JACKETS - MAKE (3) EACH

ASTM A36 STEEL PLATE AND BARS
 SSPC-SP3 POWER TOOL CLEAN - H.D.G. AFTER FABRICATION
 RADIUS ALL CUT EDGES 1/16" (+/-)



ITEM MK-1B - pl1c
 ASTM A36 PL1/2"
 PRESS BRAKE - GRIND BEVEL

CAD NO.

DATE	APP.	INT.	NO.

ACTION	BY	DATE
DESIGNED		
DRAWN		
CHECKED (FIELD)		
CHECKED (HDQTS.)		

REGISTERED STAMP

WASHINGTON
 STATE
 PARKS
 AND
 RECREATION
 COMMISSION



STEEL
 CROSS-BRACING
 STANDARD
 BENT REPAIR

SCALE
 NTS